

Product Specification

Model: APH5-BE830



1. Brand & Manufacturer Information

Brand: Neutral

Manufacturer: Yuncore

LOGO: Neutral

2. Model & Version

Model: APH5-BE830

Version: V1.0

3. Product Overview & Features

Product Overview

YUNCORE® APH5-BE830 is a high-performance, high-speed dual-band WiFi 7 outdoor access point. It features 2×2 (2.4GHz) + 2×2 (5GHz) with up to 688Mbps on 2.4GHz and 4323Mbps on 5GHz. Total throughput reaches nearly 5000Mbps, supporting up to 256 concurrent users.

Key Features

- 4096QAM modulation supported for enhanced transmission efficiency
- MLO (Multi-Link Operation) supported for concurrent multi-band connectivity and improved user experience
- 2.5Gbps network interface supported for optimal performance
- Both PoE (802.3at) and DC power supply supported for flexible installation

4. Technical Specifications

Specifications					
Product Model	APH5-BE830				
CPU	IPQ5312+QCN6422+QCA8081+QCA8337				
Flash	NAND 128MB				
DDR4	512MB				
2.4GHz Frequency Band	2.4GHz ~ 2.484GHz				
2.4GHz WiFi Protocol	802.11 b/g/n/ax/be				
5GHz Frequency Band	5.150GHz ~ 5.850GHz				
5GHz WiFi Protocol	802.11 a/n/ac/ax/be				
2.4GHz Antenna	2× 2.4GHz&5GHz omnidirectional antennas, 6dBi gain each				
5GHz Antenna	2× 5GHz antennas, 6dBi gain each				
Maximum Throughput	2.4GHz: up to 688Mbps; 5GHz: up to 4323Mbps; Total: ~5000MbpsMpbs.				
Max Concurrent Users	256				
2.4GHz Transmit Power	802.11b	11M	24±2dBm	1M	24±2dBm
	802.11g	54M	23±2dBm	6M	24±2dBm
	802.11n HT20	MCS7	22±2dBm	MCS0	24±2dBm
	802.11n HT40	MCS7	22±2dBm	MCS0	24±2dBm
	802.11ax HE20	MCS11	20±2dBm	MCS0	24±2dBm
	802.11ax HE40	MCS11	20±2dBm	MCS0	24±2dBm
	802.11be EHT20	MCS13	20±2dBm	MCS0	24±2dBm
	802.11be EHT40	MCS13	20±2dBm	MCS0	24±2dBm
5GHz Transmit Power	802.11a	54M	21±2dBm	6M	23±2dBm
	802.11n HT20	MCS7	20±2dBm	MCS0	23±2dBm
	802.11n HT40	MCS7	20±2dBm	MCS0	23±2dBm
	802.11ac VHT20	MCS7	19±2dBm	MCS0	23±2dBm
	802.11ac VHT40	MCS7	19±2dBm	MCS0	23±2dBm
	802.11ac VHT80	MCS9	19±2dBm	MCS0	23±2dBm
	802.11ax HE20	MCS11	18±2dBm	MCS0	23±2dBm

	802.11ax HE40	MCS11	18±2dBm	MCS0	23±2dBm
	802.11ax HE80	MCS11	18±2dBm	MCS0	23±2dBm
	802.11ax HE160	MCS11	18±2dBm	MCS0	23±2dBm
	802.11be EHT20	MCS13	18±2dBm	MCS0	23±2dBm
	802.11be EHT40	MCS13	18±2dBm	MCS0	23±2dBm
	802.11be EHT80	MCS13	18±2dBm	MCS0	23±2dBm
	802.11be EHT160	MCS13	18±2dBm	MCS0	23±2dBm
	802.11be EHT240	MCS13	18±2dBm	MCS0	23±2dBm
2.4GHz Receive Sensitivity	802.11b	11M	-89dBm	1M	-95dBm
	802.11g	54M	-75dBm	6M	-92dBm
	802.11n HT20	MCS7	-72dBm	MCS0	-88dBm
	802.11n HT40	MCS7	-70dBm	MCS0	-86dBm
	802.11ax HE20	MCS11	-62dBm	MCS0	-88dBm
	802.11ax HE40	MCS11	-60dBm	MCS0	-86dBm
	802.11be EHT20	MCS13	-60dBm	MCS0	-86dBm
	802.11be EHT40	MCS13	-60dBm	MCS0	-86dBm
5GHz Receive Sensitivity	802.11a	54M	-75dBm	6M	-92dBm
	802.11n HT20	MCS7	-72dBm	MCS0	-88dBm
	802.11n HT40	MCS7	-70dBm	MCS0	-86dBm
	802.11ac VHT20	MCS7	-65dBm	MCS0	-88dBm
	802.11ac VHT40	MCS7	-62dBm	MCS0	-86dBm
	802.11ac VHT80	MCS9	-60dBm	MCS0	-84dBm
	802.11ax HE20	MCS11	-60dBm	MCS0	-90dBm
	802.11ax HE40	MCS11	-58dBm	MCS0	-88dBm
	802.11ax HE80	MCS11	-54dBm	MCS0	-84dBm
	802.11ax HE160	MCS11	-54dBm	MCS0	-82dBm
	802.11be EHT20	MCS13	-54dBm	MCS0	-86dBm
	802.11be EHT40	MCS13	-52dBm	MCS0	-84dBm
	802.11be EHT80	MCS13	-50dBm	MCS0	-82dBm
	802.11be EHT160	MCS13	-48dBm	MCS0	-80dBm
	802.11be EHT240	MCS13	-48dBm	MCS0	-80dBm

2.4GHz EVM	802.11b: ≤ -10 dB; 802.11g: ≤ -25 dB; 802.11n: ≤ -28 dB; 802.11ax: ≤ -35 dB ;802.11be: ≤ -38 dB
5GHz EVM	802.11a: ≤ -25 dB; 802.11n: ≤ -28 dB; 802.11ac: ≤ -32 dB; 802.11ax: ≤ -35 dB; 802.11be: ≤ -38 dB
Frequency Offset (ppm)	± 20 ppm
Interface (WAN)	1× 10/100/1000/2500Mbps auto-negotiation WAN port, PoE 48V supported
Interface (LAN)	1× 10/100/1000Mbps auto-negotiation LAN port
External Button	Reset button (long press 6-10s for factory reset)
Status LEDs	<p>WiFi: Green solid on when 2.4G/5G enabled, blinking when data active, off when WiFi disabled</p> <p>LAN: Gigabit LAN port LED (green, off when no link, solid on when linked, blinking when data active)</p> <p>WAN: Gigabit WAN port LED (green, off when no link, solid on when linked, blinking when data active)</p> <p>SYS: System LED, blinking when system is normal</p> <p>PWR: Power LED (green, solid on when powered, off when not powered)</p>
Power Supply	DC 2.0 12V/2A, PoE 802.3at
Maximum Power Consumption	< 22W

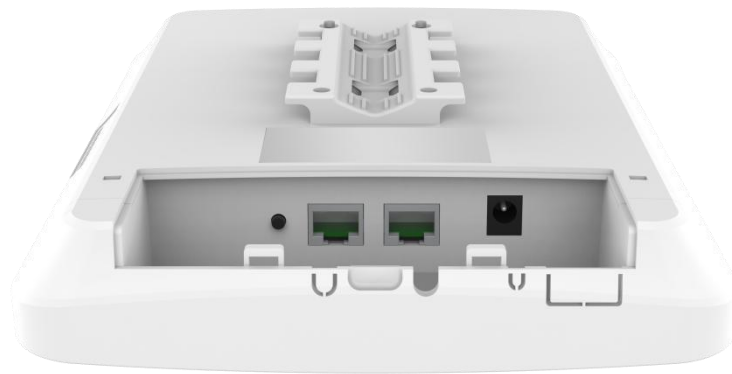
Dimensions	230 × 180 × 47.1 mm
Weight	1.1 kg (net), 1.6 kg (gross)
Operating Environment	Operating temp: -30°C to 55°C; Storage temp: -40°C to 70°C; Humidity: 5%~95% (non-condensing)
Protection Rating	IP65
ESD	Air discharge ±15kV, contact discharge ±8kV
Surge	Common mode 6kV, differential mode 2kV

5. Software Features

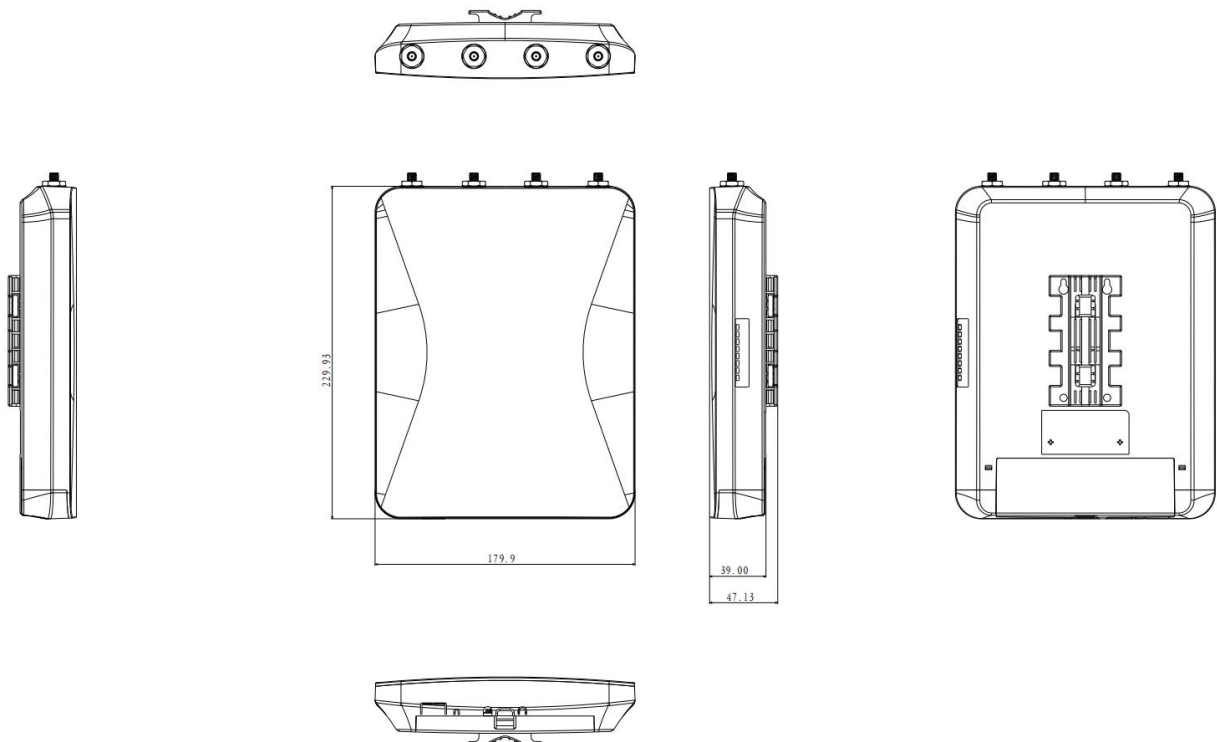
Home Page	Operating Mode: Fat AP mode and Thin AP mode
	Wireless AP download/upload rate, uptime
	Device info, device description, LAN info, WiFi info
Supported Modes	Gateway mode: Device connects to WAN via WAN port using static IP, DHCP or PPPoE for internet access
	AP mode: Device provides wireless coverage for clients and connects to WAN via Ethernet through another router
Wireless Features	SSID broadcast
	SSID count: 4 (2.4GHz) + 4 (5GHz), Chinese SSID supported
	Hidden SSID
	Wireless encryption: OPEN, WPA/WPA2-PSK-TKIP/AES
	Wireless MAC filtering: Whitelist supported
	WiFi scheduled disable
	User isolation: Wireless network isolation, AP internal isolation
	Transmit power control
	Wireless client limit
	QoS: WMM
Network Features	Connection method: Static IP, from management server, from gateway
	DHCP server: Built-in or external DHCP server supported
	Cloud platform server
	Firewall
	PPPoE: PPPoE dial-up supported
Device Management	Configuration backup
	Configuration restore
	Factory reset
	Reboot: Scheduled reboot and immediate reboot

	Firmware upgrade
	Time management: System time display and time synchronization
	System log
	Fat/Thin AP switching

6. Interface Diagram



7. Dimensions Diagram



8. Package Contents

Main Unit*1

Power Adapter*1

Mounting Clamp*2

Ethernet Cable*1

User Manual*1

Certificate & Warranty Card*1